

# قالب های برش گام به گام طراحی و ساخت

فصل پنجم: چهارده مرحله طراحی یک قالب

ویرایش اول

زمستان ۹۳

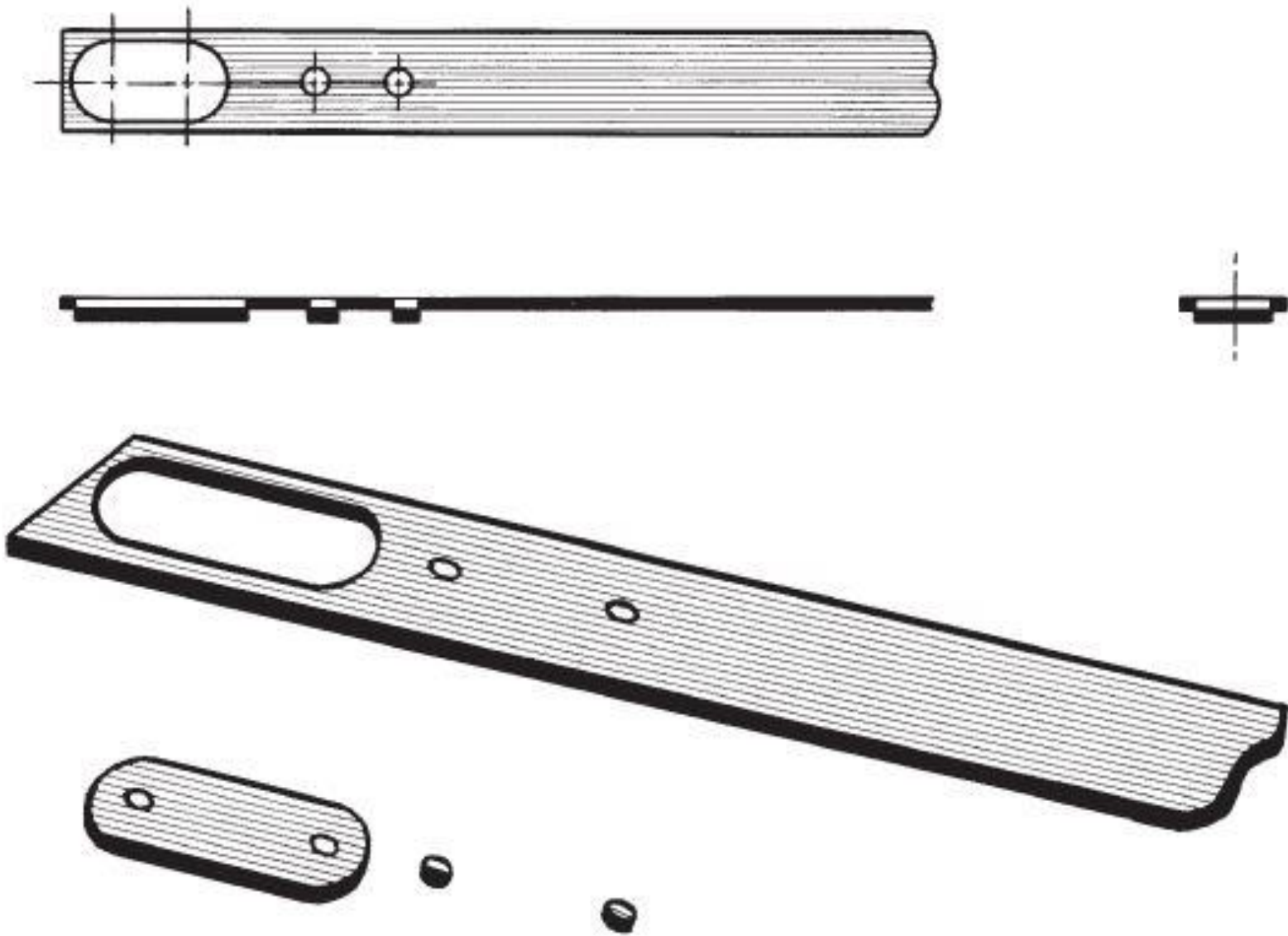


Figure 5.1 Material strip as it appears at the bottom of the press stroke.

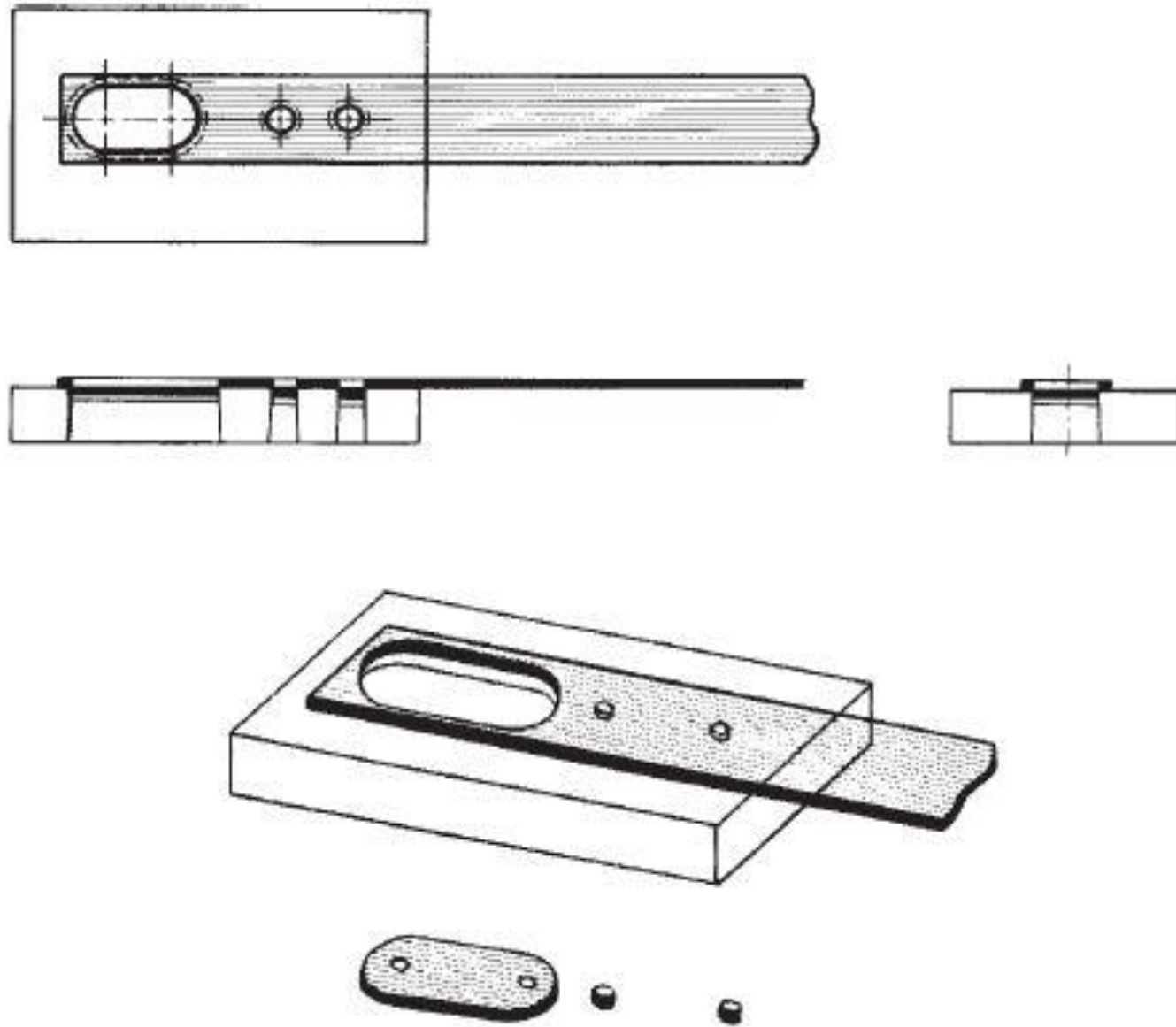


Figure 5.2 Various views of the die block and material strip.

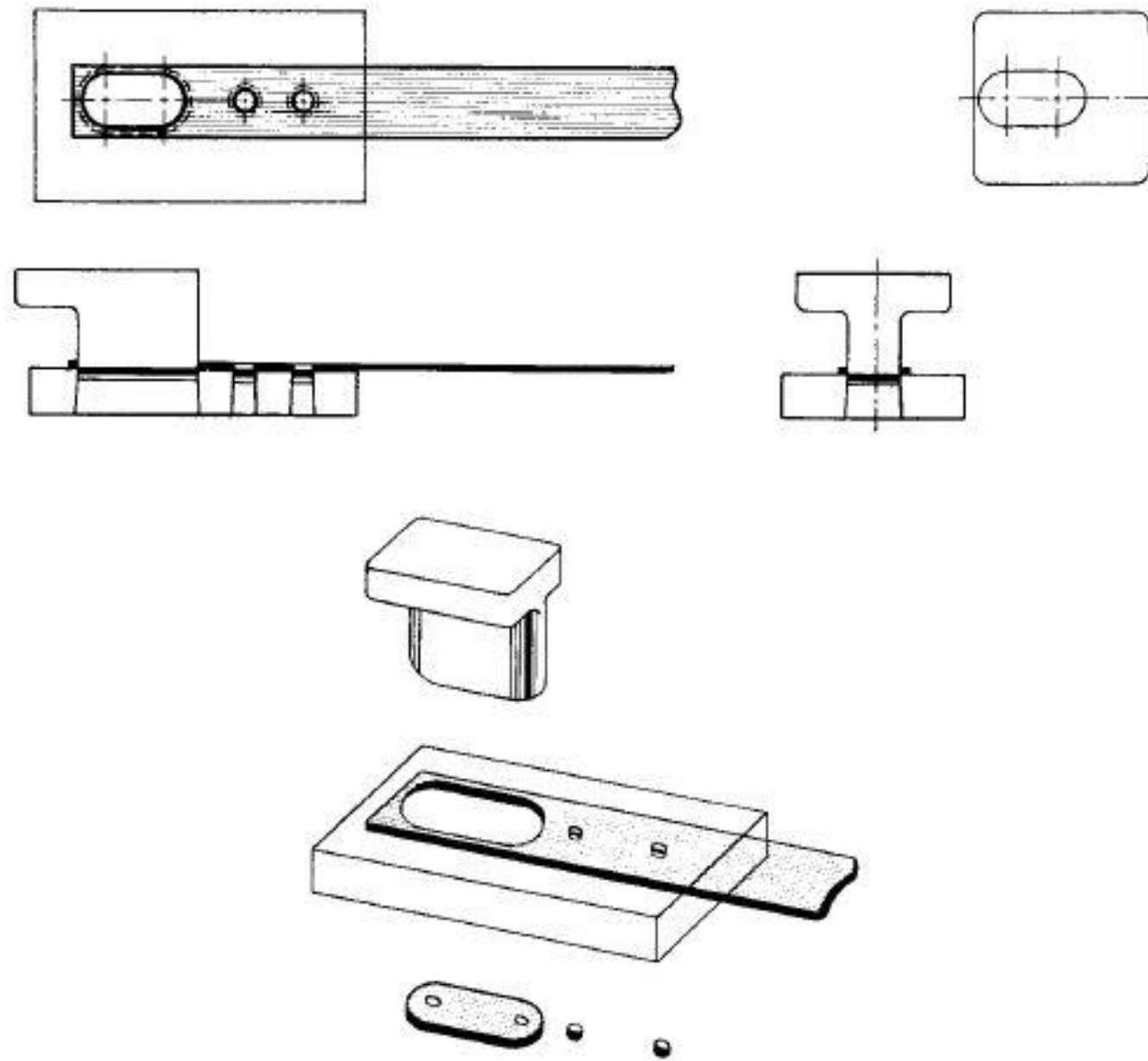


Figure 5.3 Various views of the die assembly with the blanking punch added.

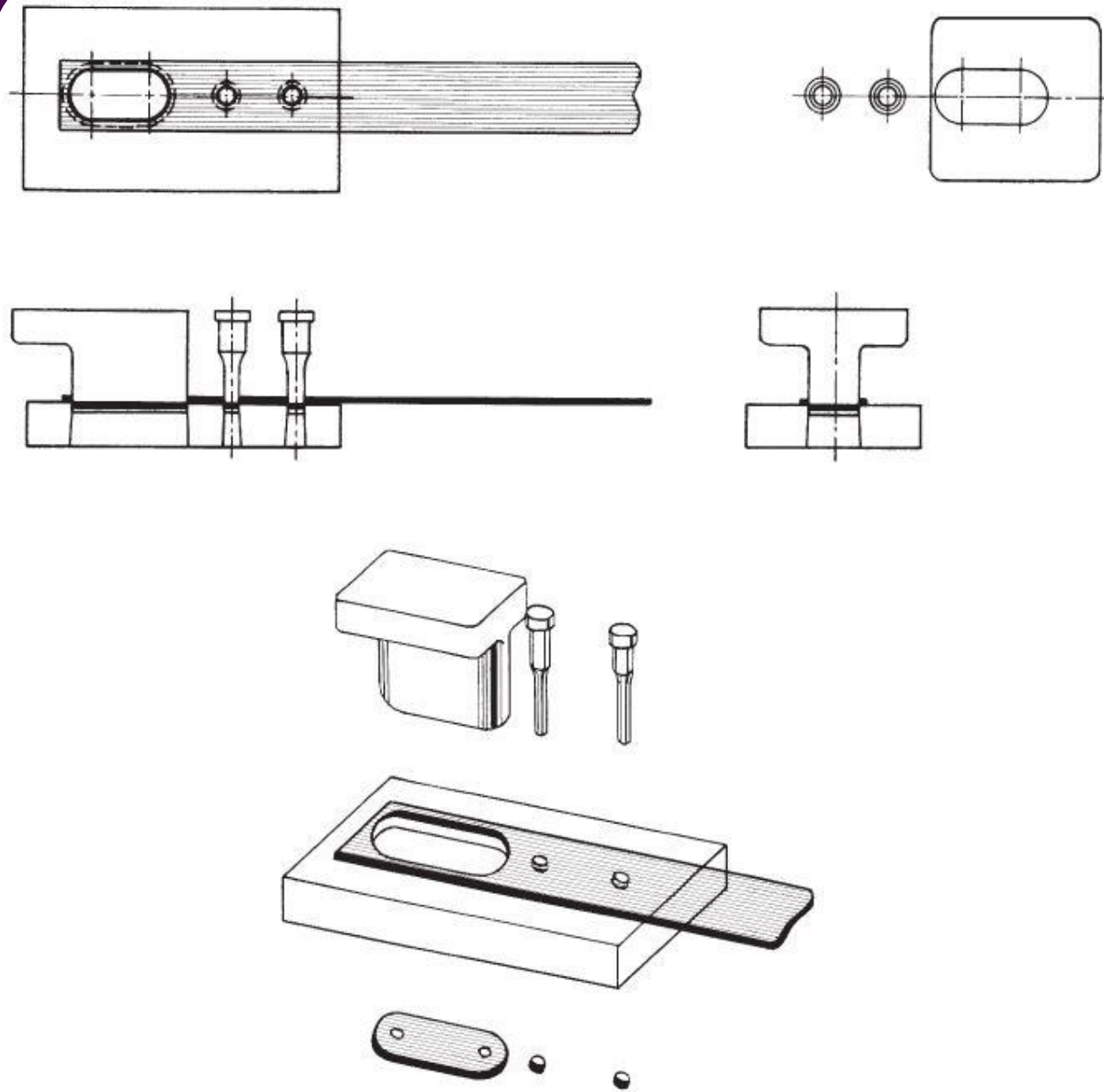


Figure 5.4 Various views of the die assembly with the piercing punches added.

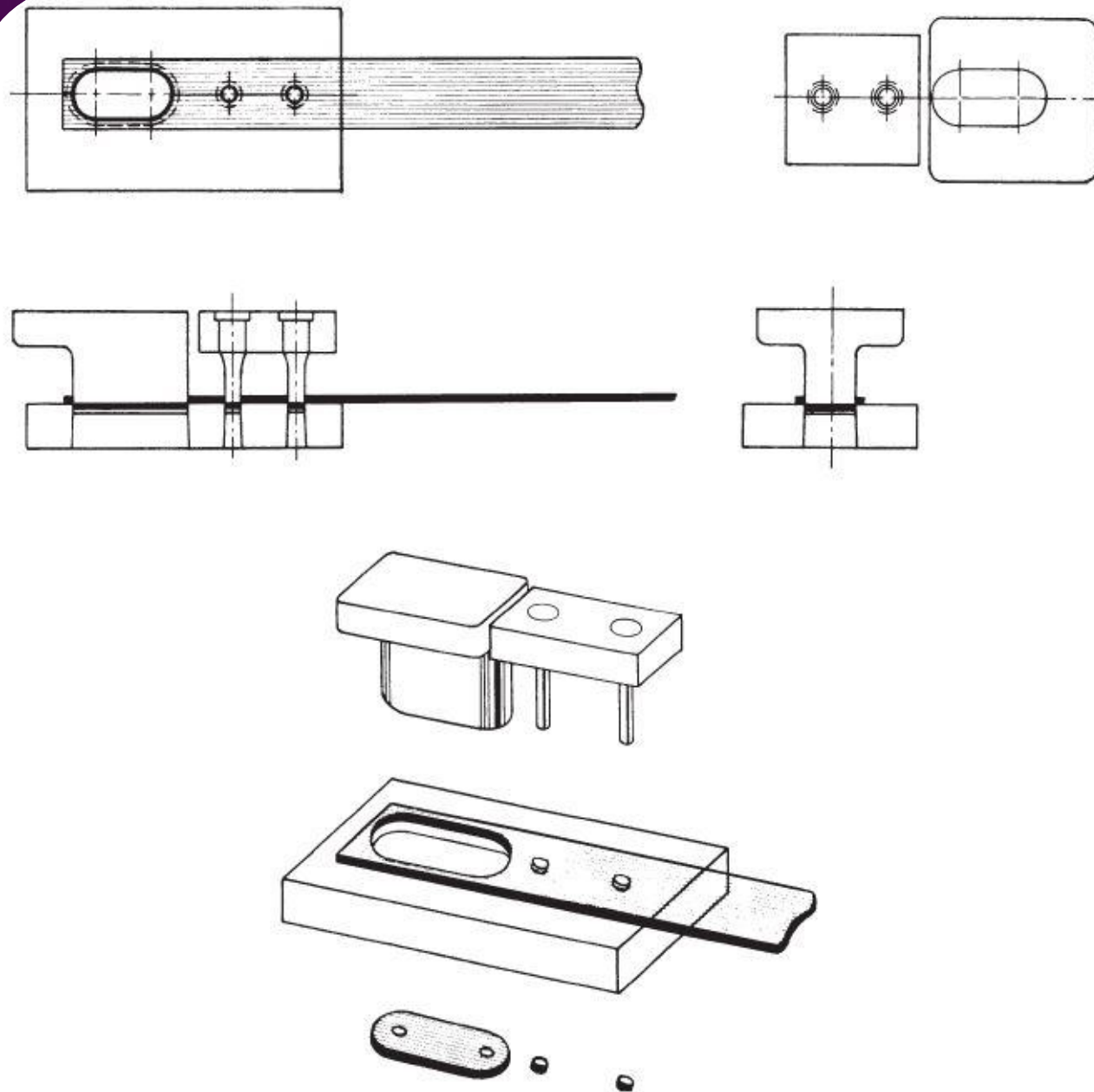


Figure 5.5 Various views of the die assembly with the punch plate added.

Figure 5.5 Various views of the die assembly with the punch plate added.

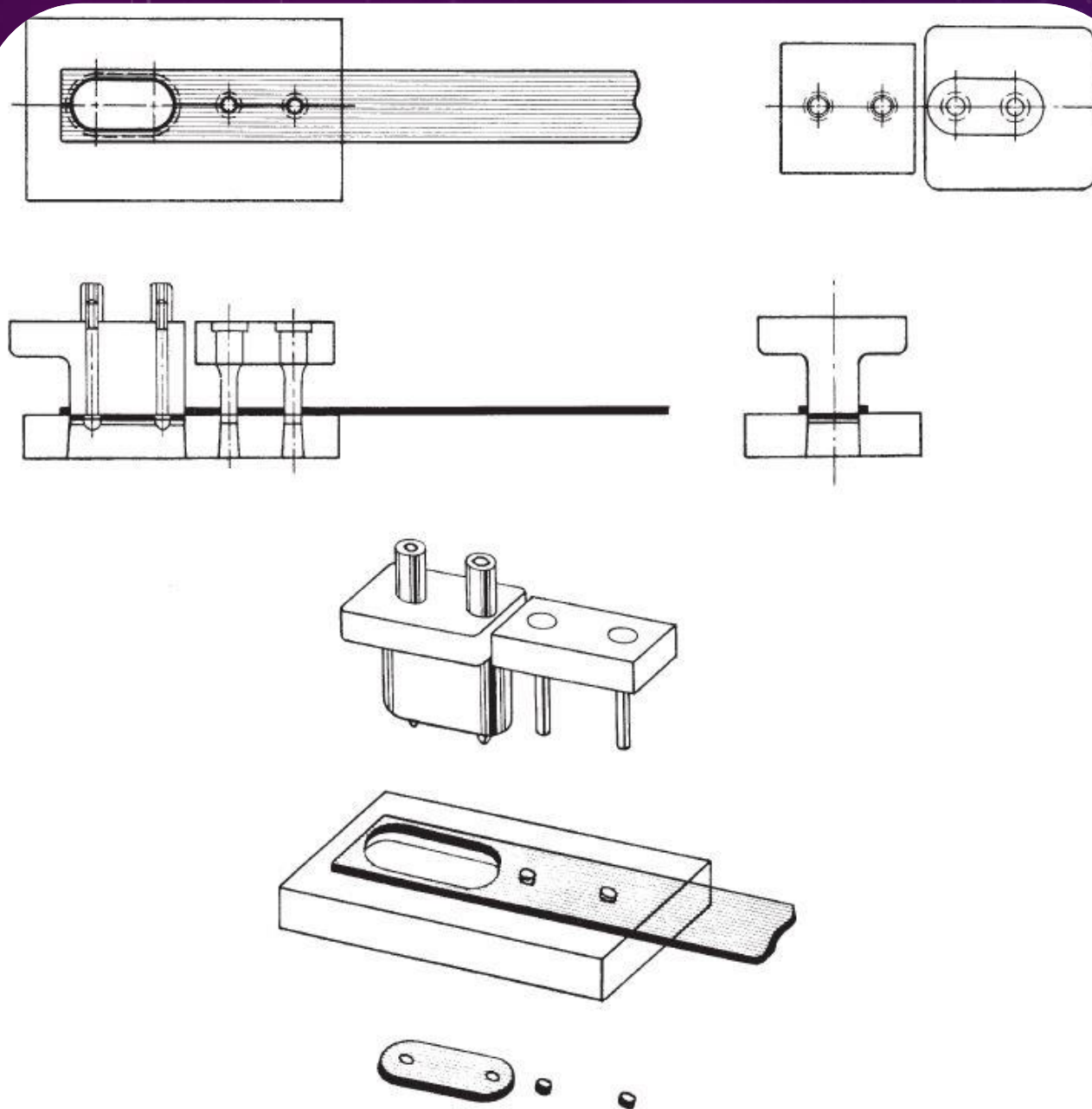


Figure 5.6 Various views of the die assembly with the pilots added.

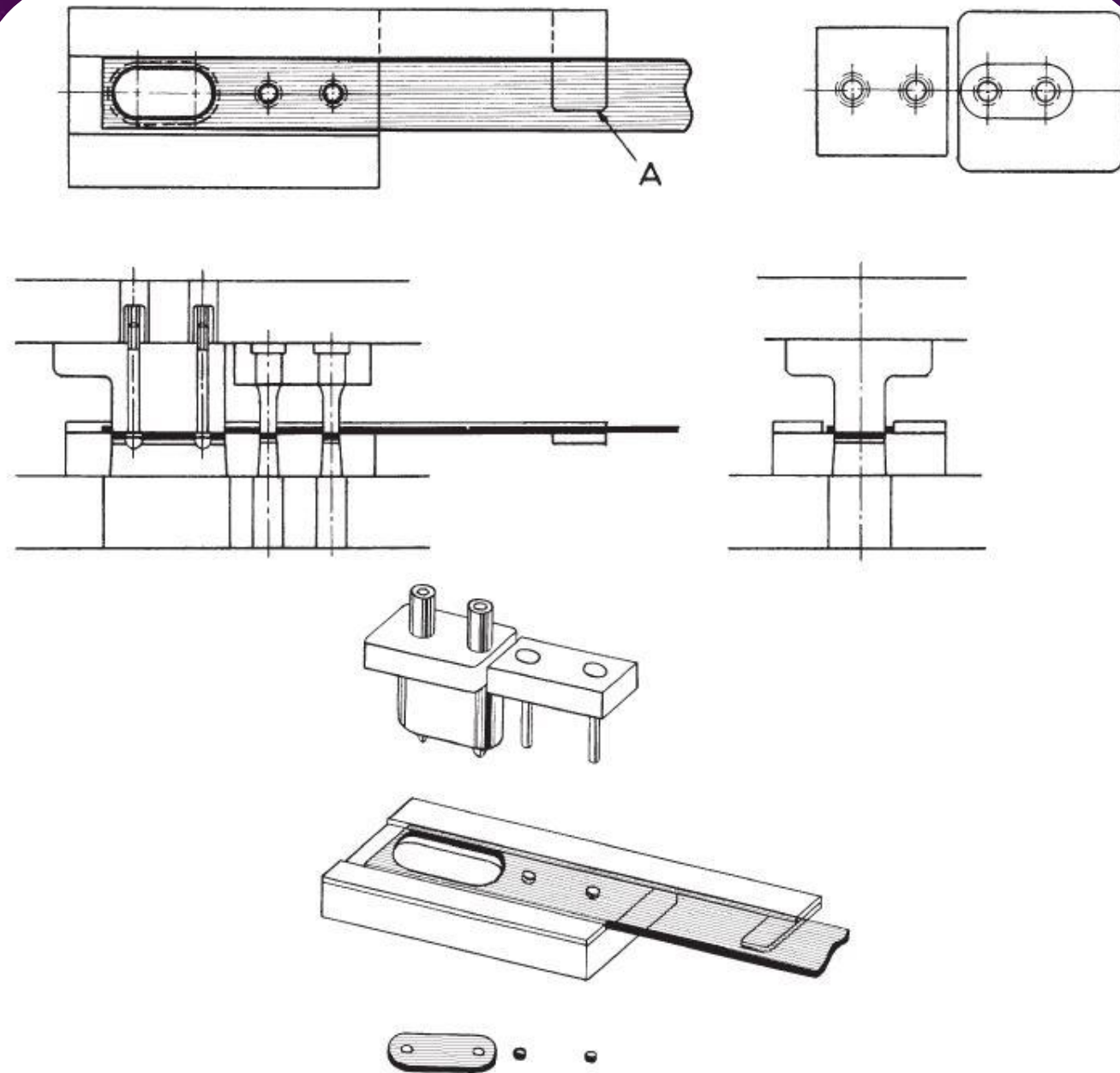


Figure 5.7 Various views of the die assembly with the back gage and front spacer added.



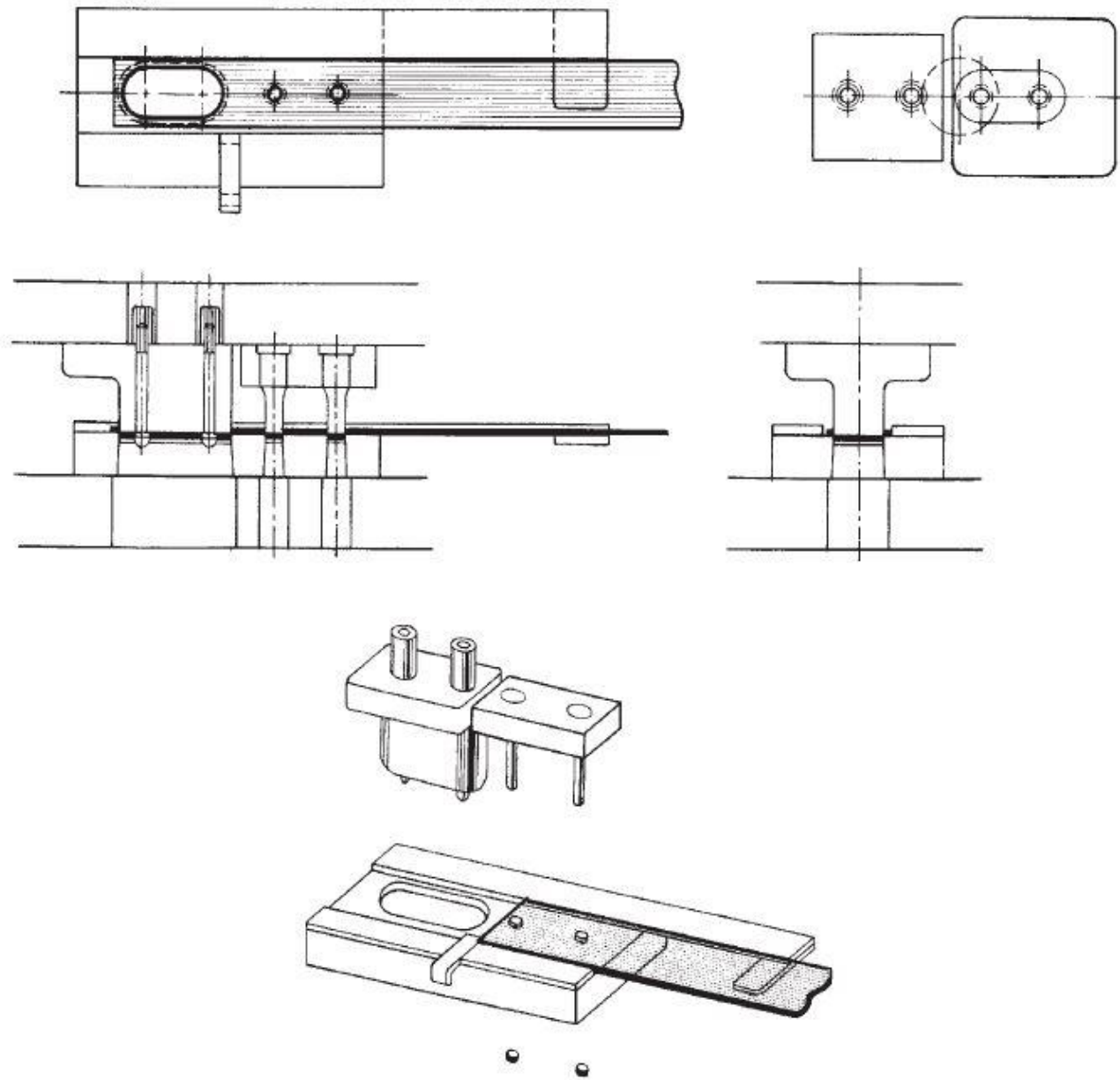


Figure 5.8 Various views of the die assembly with the finger stop added.

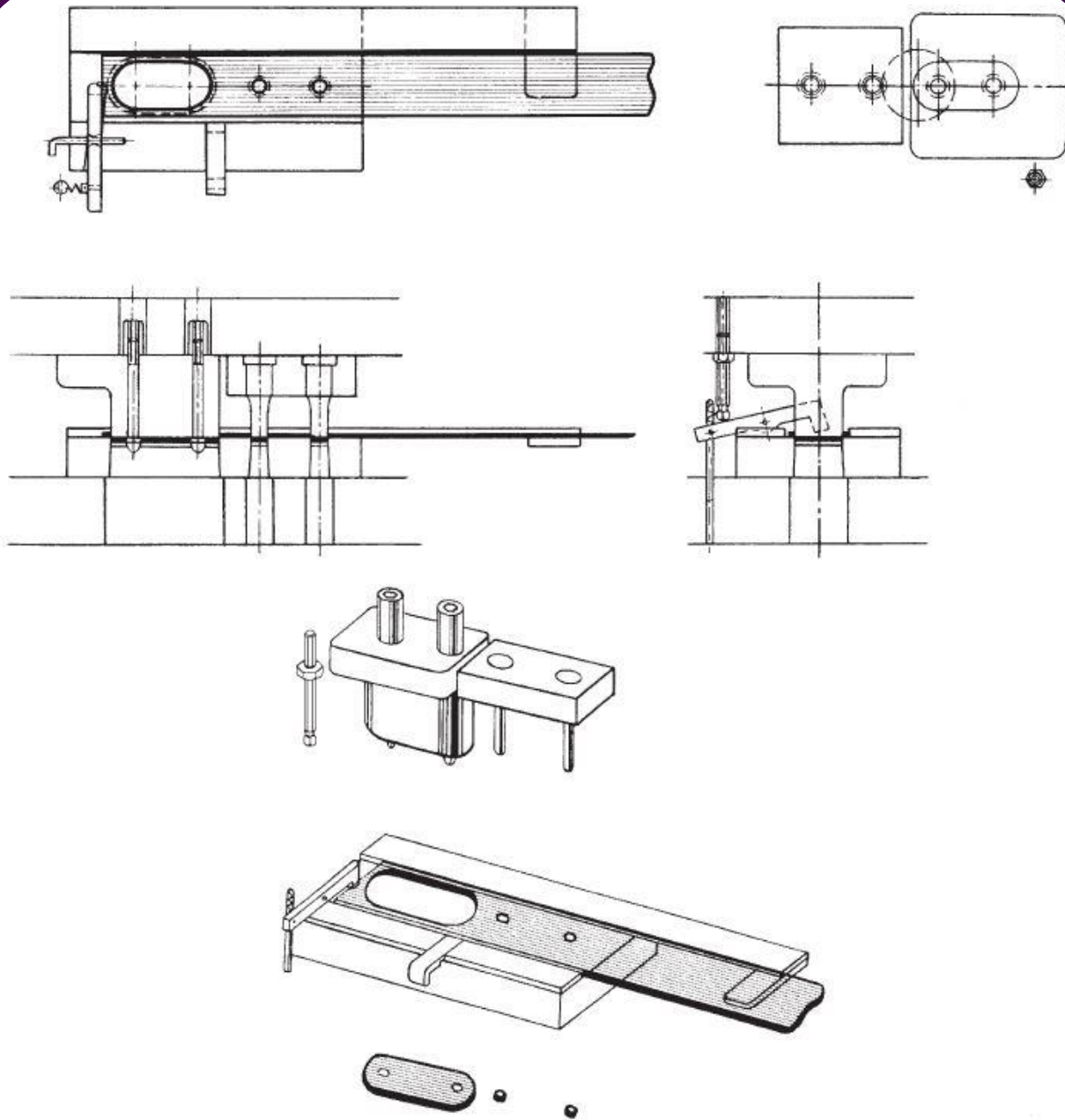


Figure 5.9 Various views of the die assembly with the automatic stop added.

Figure 5.9 Various views of the die assembly with the automatic stop added.

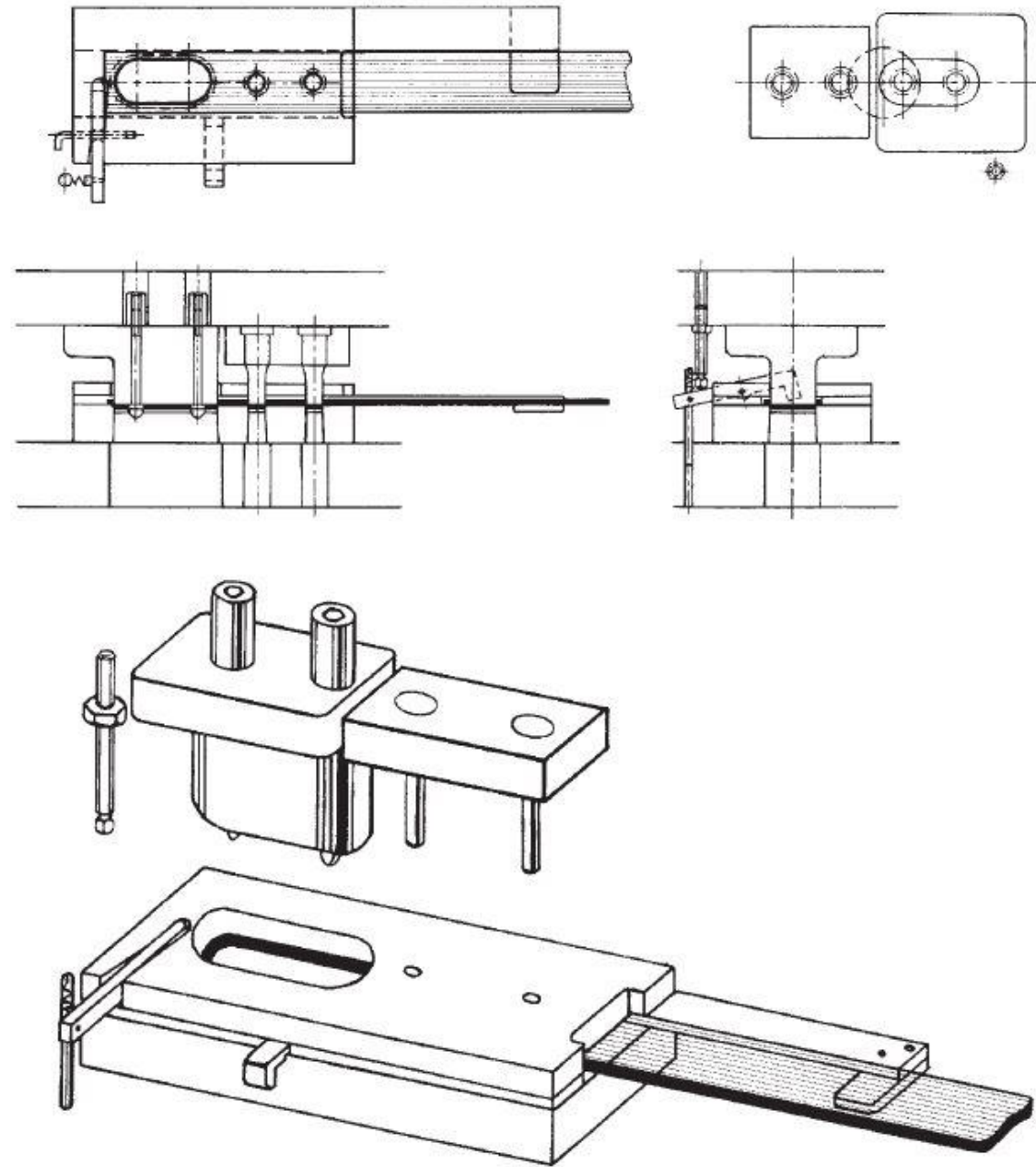


Figure 5.10 Various views of the die assembly with the stripper added.

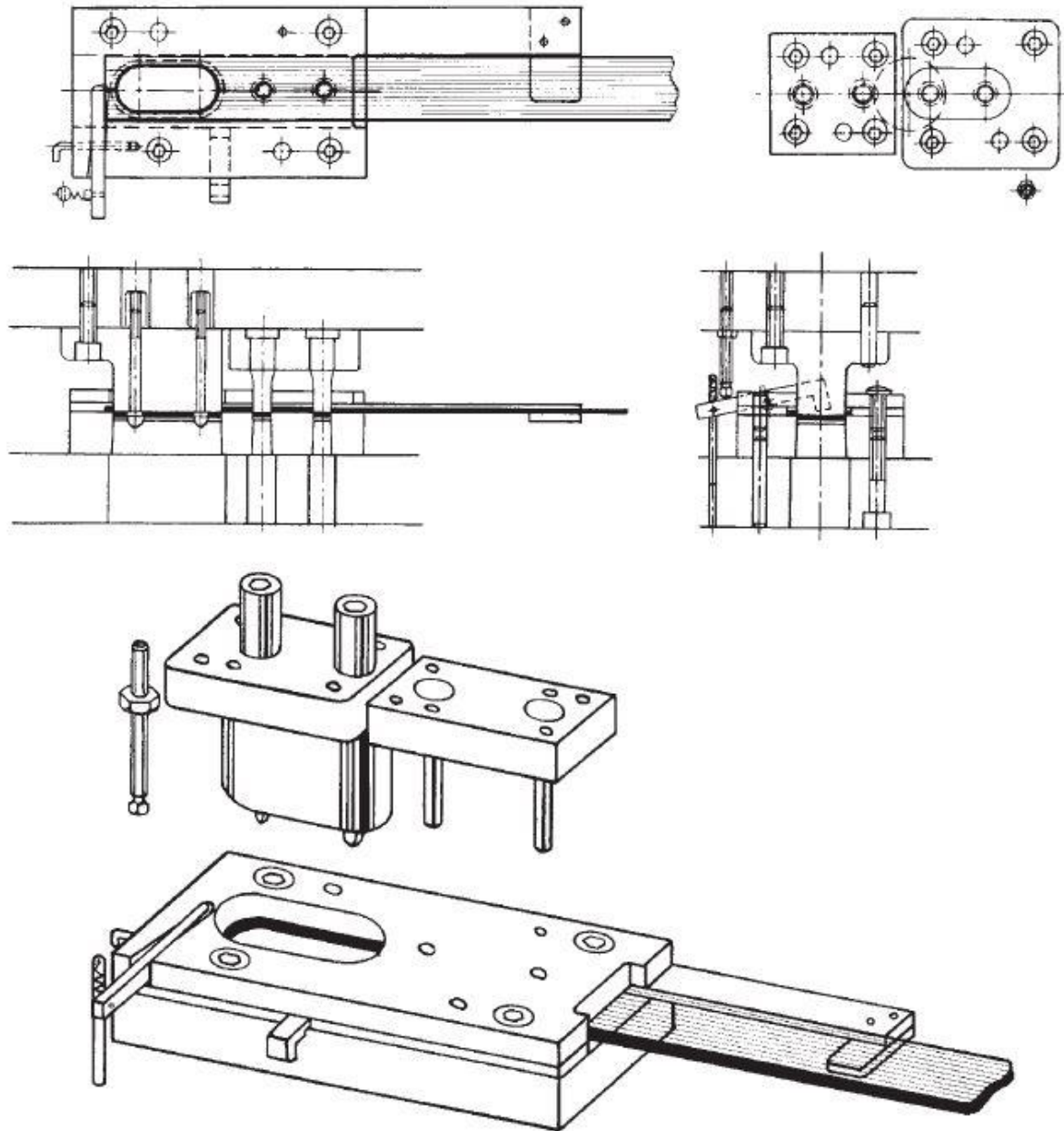


Figure 5.11 Various views of the die assembly with the fasteners added.

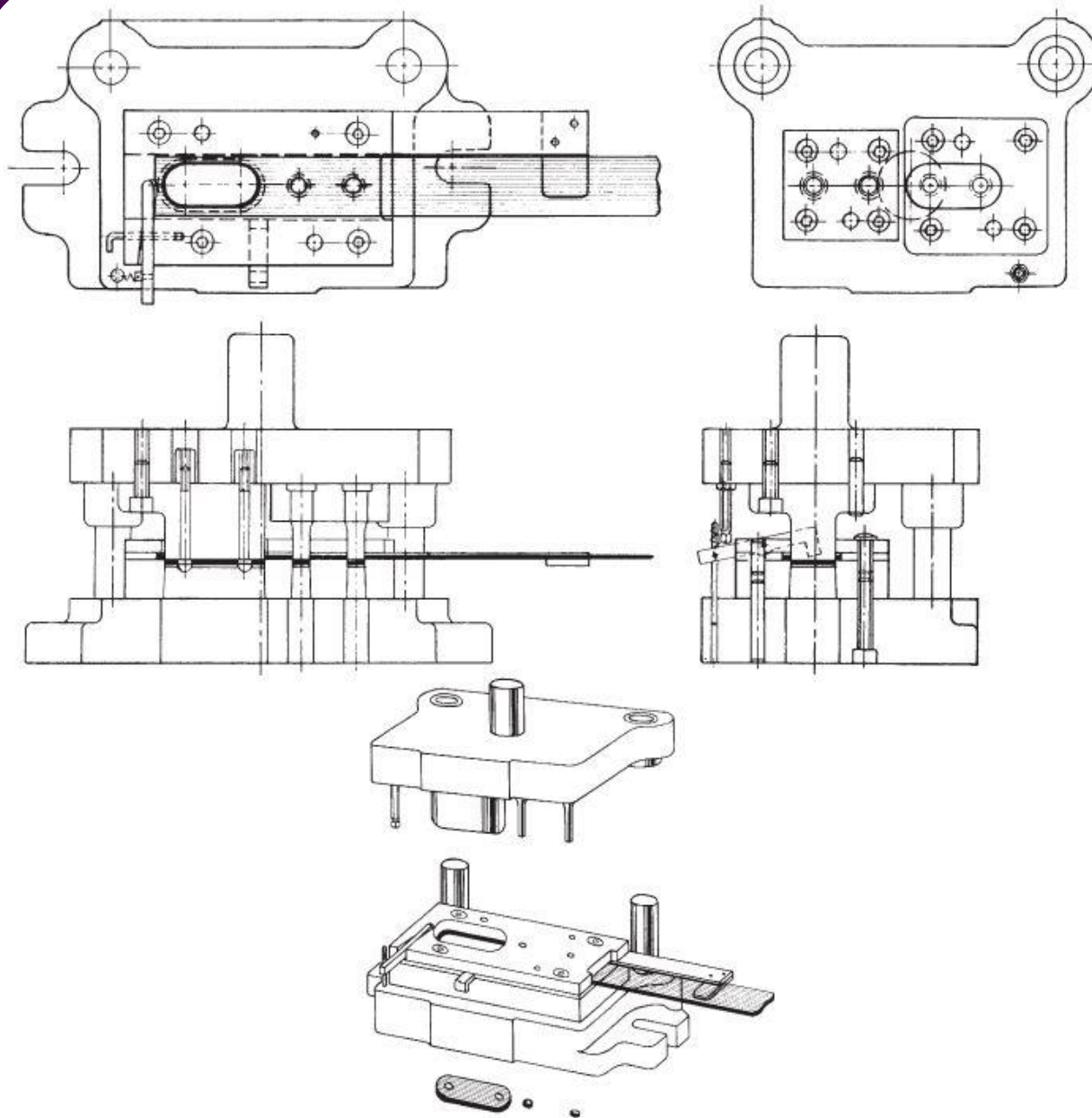


Figure 5.12 Various views of the die assembly including the die set.

Figure 5.12 Various views of the die assembly including the die set.

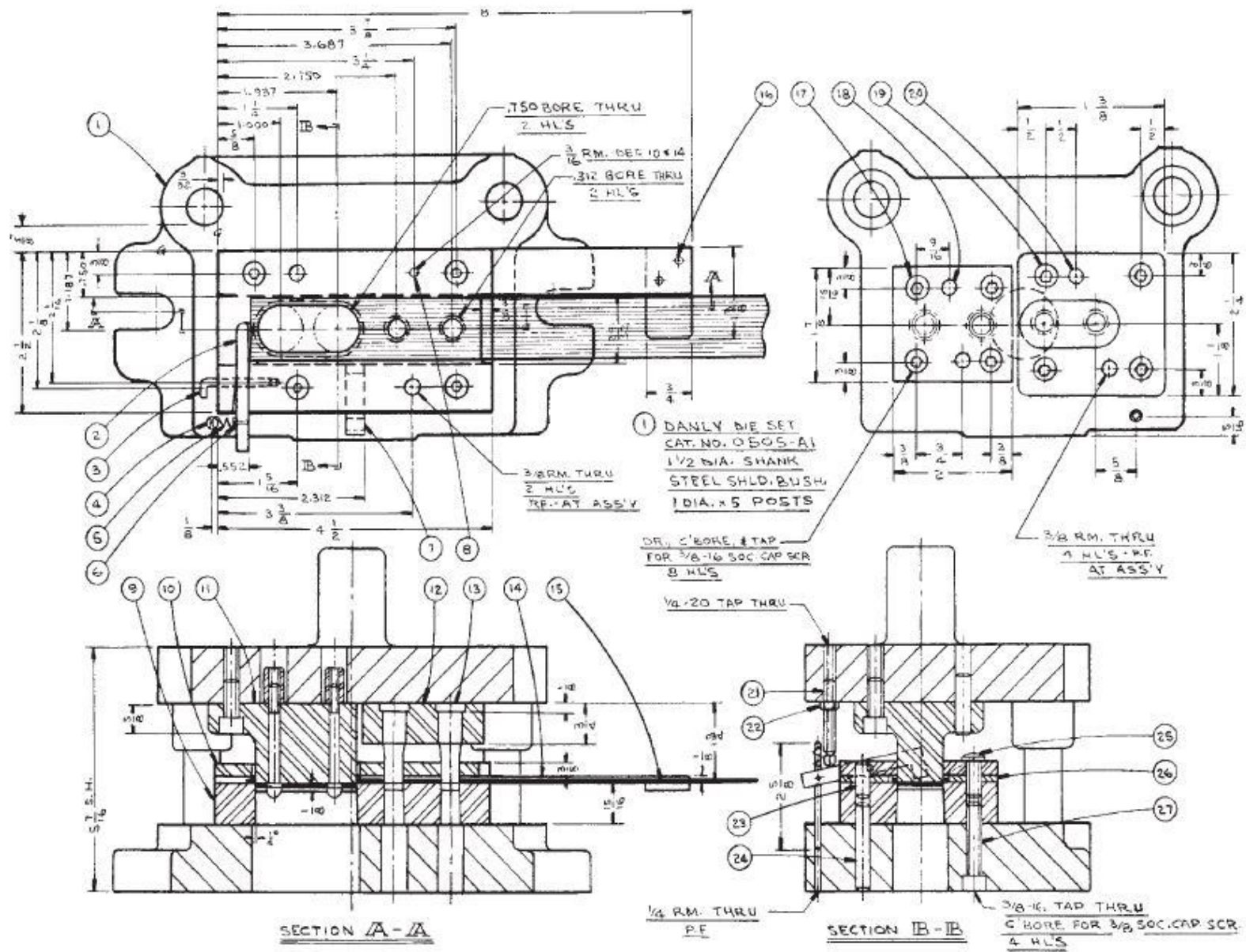


Figure 5.13 Various views of the complete die with dimensions and notes.



# پایان فصل پنجم

با سپاس از توجه شما...